

EPAL 6 half pallet

800 x 600 mm



The work of the of the European Pallet Association, its National Committees and licensees forms the stable basis for the successful, open pallet pool and enables the global exchange of EPAL load carriers. There are more than 450 million EPAL pallets in circulation around the globe that are used throughout the sector and it would be impossible to imagine industry and logistics without them. The EPAL 6 half pallet is used as a display pallet and can be placed in the actual sales area. Constant quality assurance and high quality materials ensure trouble-free, safe performance for users and loading. Their multiple use saves a considerable amount of environmental and economic resources.

Facts & figures

Materials: 13 boards of quality timber, 9 wood-chip or solid wood blocks, 69 nails. Produced according to the EPAL Technical Regulations.

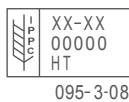
Length	800 mm
Width	600 mm
Height	144 mm
Weight	Approx. 9.5 kg
Safe working load	500 kg

When stacking laden pallets on a solid, even surface, the bottommost pallet must not exceed a load of max. 2,000 kg.

Markings



EPAL in oval on the left and right corner block (since 08/2013)



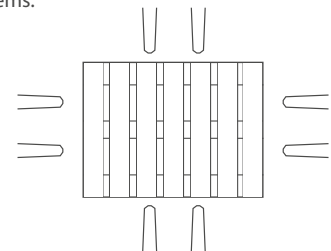
IPPC symbol, country code, registration number of the national plant protection authority, heat treatment, licence number-year-month on the central block



EPAL control staples

Handling

4-sided accessibility with chamfered lower edge boards on both sides enables highly efficient handling during production, storage and transportation all the way along the supply chain. Compatible with all (conventional) standard load carriers, industrial trucks and warehouse systems.



Quality control



Quality is the key criterion for the reliable, safe deployment of EPAL pallets within the supply chain of international companies. The open pool of EPAL pallets is the only pool around the globe which undergoes regular independent quality inspections by one of the most renowned inspection companies in the world, Bureau Veritas.

ISPM 15



Compliance with the ISPM 15 standard is the most essential condition for the unrestricted use of load carriers in the international movement of goods. All EPAL load carriers are therefore produced according to the stringent specifications of the IPPC and can thus be deployed around the globe. Local plant protection agencies will provide information on the countries that recognise the IPPC standard.

Reparatur



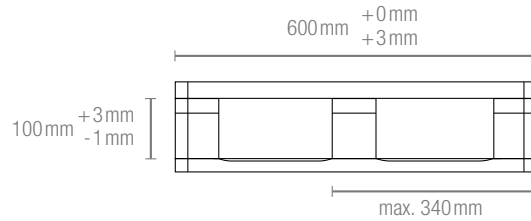
Damaged EPAL pallets can be repaired cost effectively and in a climate-friendly manner by all EPAL-licensed pallet repair operations. EPAL pallets repaired according to standard receive a repair nail bearing the "EPAL" trademark and the licence number of the repair operation, following the quality-assured repair.

EPAL 6 half pallet

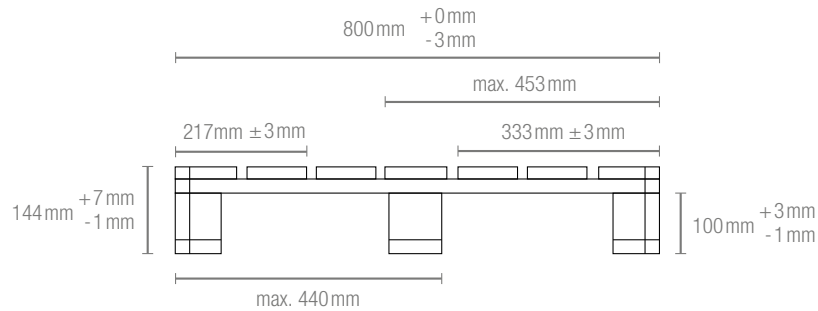
800 x 600 mm



600mm side



800mm side



Top view

